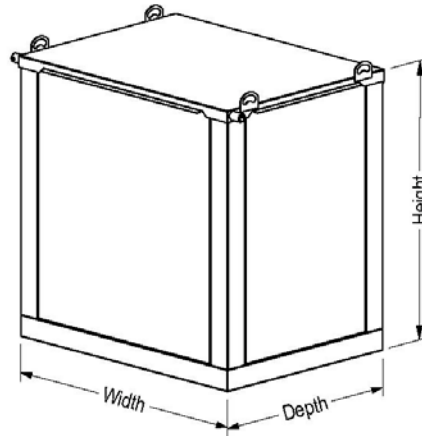


Multi-Connection Secondary Termination Enclosure

Convertible 360-plus

5-point entry access patented enclosure

600V, aluminum lay-in connectors, 14-gauge mild steel enclosure, Munsell green



Max Amps ¹	# of Connectors ^{2,3}	Wire Range	Height (in)	Width (in)	Depth (in)	Catalog No. (mild steel)
2600	20	2-600	48	36	36	TWMMF-26L20-600-N
4000	18	1/0-750	48	36	36	TWMMF-40L18-750-N
4000	16	1/0-1000	48	36	36	TWMMF-40L16-1001-N
2600	28	2-600	48	48	36	TWMMF-26L28-600-N
4000	26	1/0-750	48	48	36	TWMMF-40L26-750-N
4000	22	1/0-1000	48	48	36	TWMMF-40L22-1001-N

NOTE:

¹Rating is based on center feed.

²Connectors are ANSI tested, and meet ANSI C119.6 specifications

³Connectors are made of 6061-T6 aluminum and are dual rated for both copper and aluminum conductors.

Please consult the factory or your local sales representative for any requirements not listed here.